

Tess 140

Internal wire guided tension system

- Automated, retractable sun screening system
- Horizontal and sloping glazing applications
- Maximum daylight under dull conditions
- Reduced heat gain and glare on sunny days
- Integrated radio control operation



Application

The Tess range of shading systems has been developed to satisfy the demand for retractable sun screening on horizontal and sloping glazing. Designed primarily for commercial buildings, such as offices, shops, hotels, airports etc. they provide a solution giving maximum daylight under dull conditions and reduced heat gain and glare on sunny days.

Operation

The Tess 140 tension blind mechanism is suitable for rectangular fabric shades which are installed under horizontal or sloping glazing or for vertical applications where the fabric is pulling up from the bottom.

The fabric is held under tension through-out its travel and can be stopped in any position. A stainless steel wire acts as both a guide and a restraint for the aluminium hem bar and eliminates the need for relieving rollers or other forms of intermediate fabric support.

Control

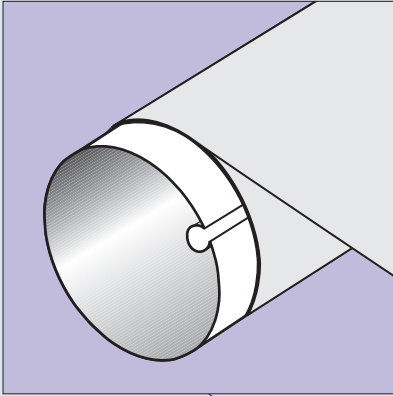
Each unit has a built-in Simu motor with the option of an integrated radio control for convenience in operation and simplified wiring. Group and automatic sun control are available on all systems.



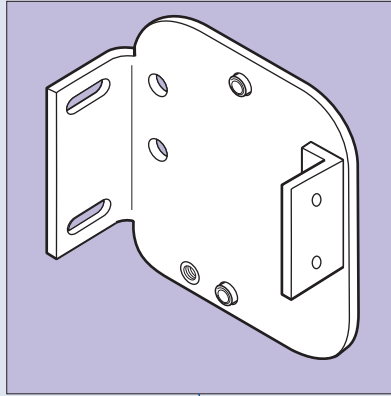
Hand-held or wall mounted transmitters control the built-in motor.

Details

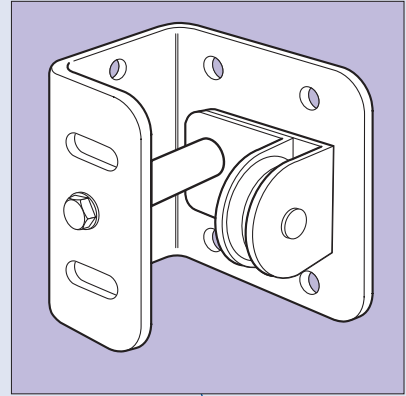
Fabric roller



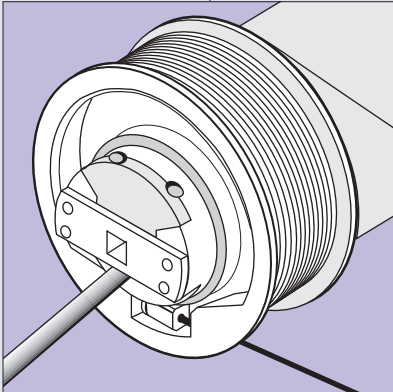
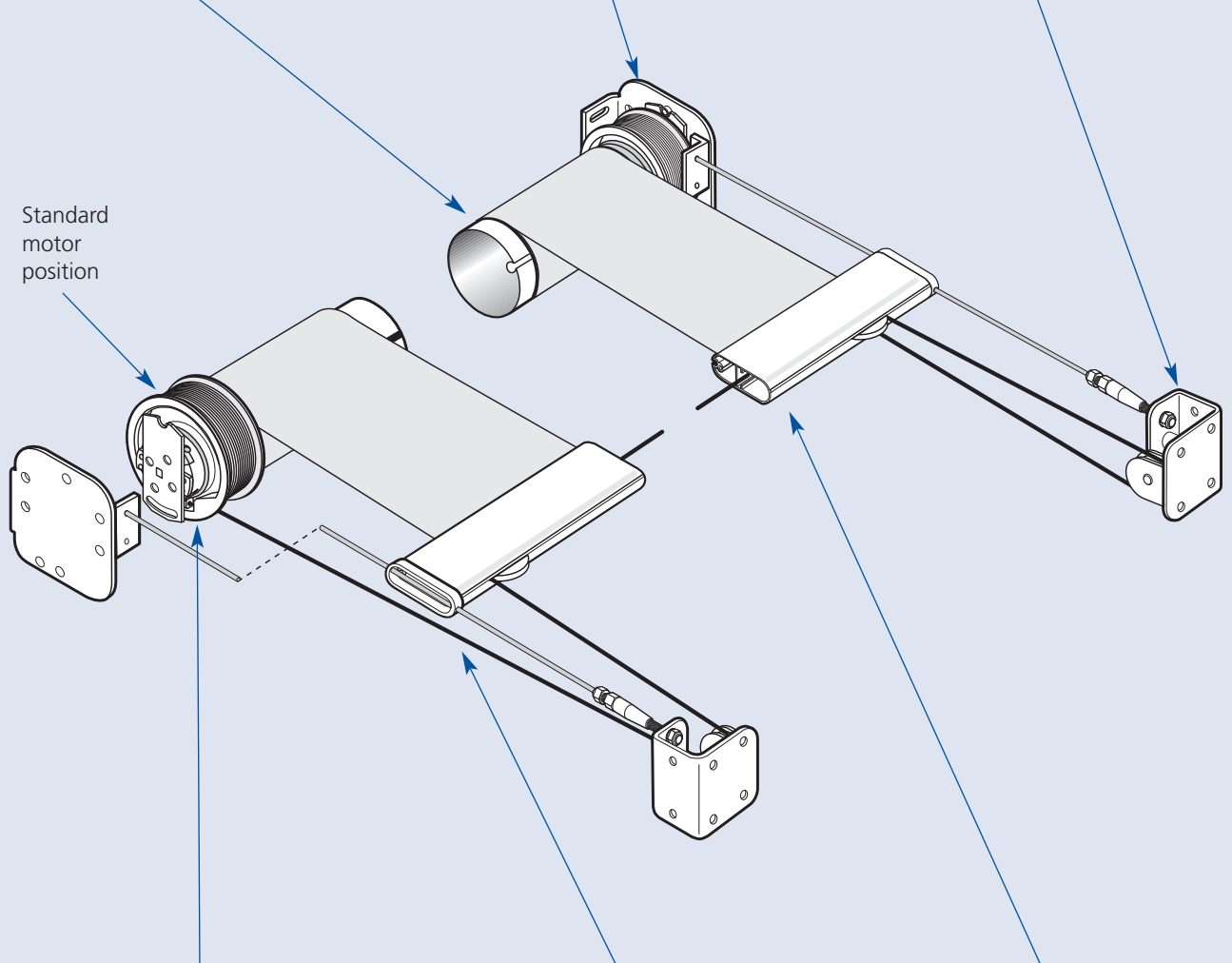
Back fix roller bracket



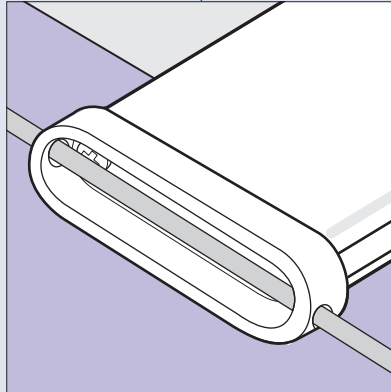
Back or side fix return pulley bracket



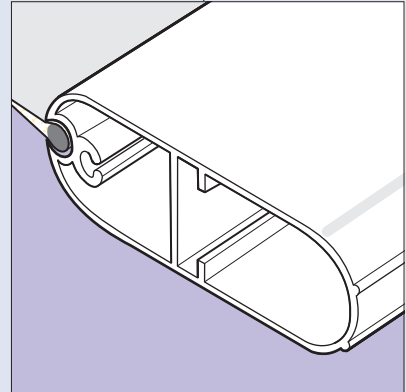
Standard motor position



Motor with cable spool (without mounting plate)



Hem bar end cap



Hem bar

Specification

Tension blind system comprising:

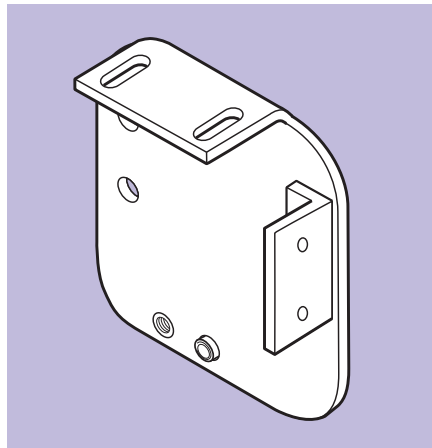
- a single 85mm galvanized steel roller incorporating both the drive motor and the spring compensation cassette with integral tension adjustment gear
- extruded aluminium hem bar supporting the free end of the fabric carried by two 5mm dia. stainless steel cables
- a continuous nylon coated tension cable to deploy and retract the blind by means of two 6.5m capacity cable drums, one on either end of the fabric roller

Finishes:

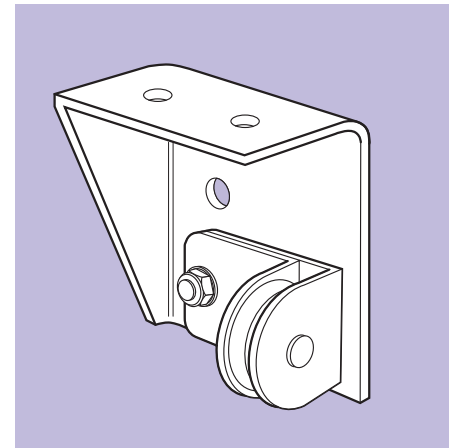
- aluminium components finished in the standard polyester powder finish, 30% gloss
- fasteners of stainless steel and other steel parts galvanized against corrosion

Installation:

Available with either top fix or back fix roller brackets and return pulley brackets



Top fix mounting bracket



Top fix return pulley bracket

Technical Data

System dimensions

Max. recommended width 4m

Maximum draw 6.5m

Maximum fabric area 18m² (based on a fabric weight of 450g/m²)

Motor

Torque 15Nm at 17rpm

Current 0.65amps

Supply 230 v AC single phase

Other voltages and frequencies available on request

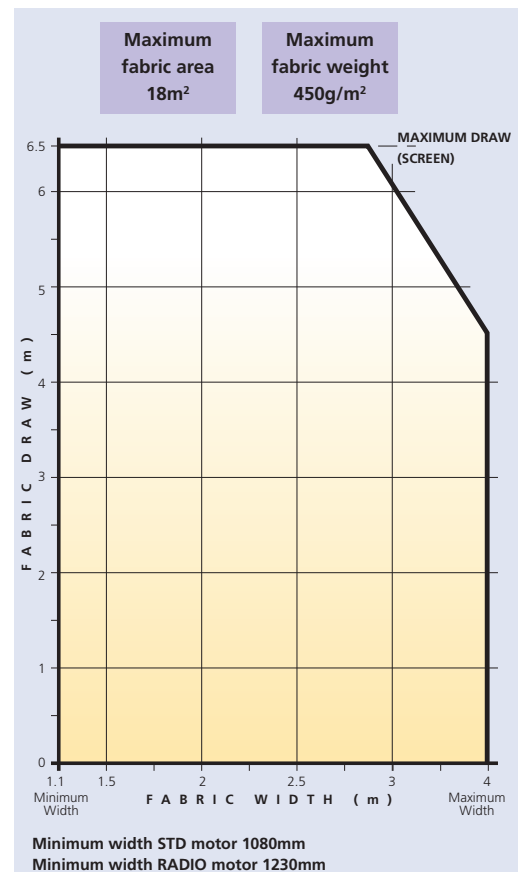
System weights and structural loading

Base weight for a 1m wide system - 15Kg, additional metre width – 5Kg

Tensile load in guide wire typically - 75Kg (each cable)

Load created by fabric tension - 25Kg max. (per anchor point)

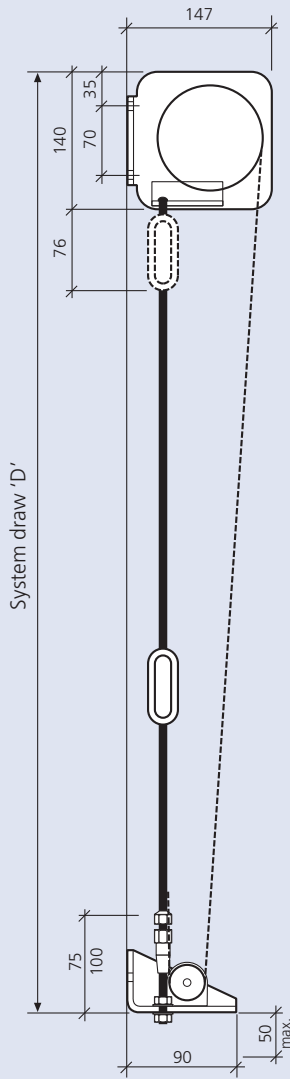
Therefore overall loading - 100Kg per fixing point



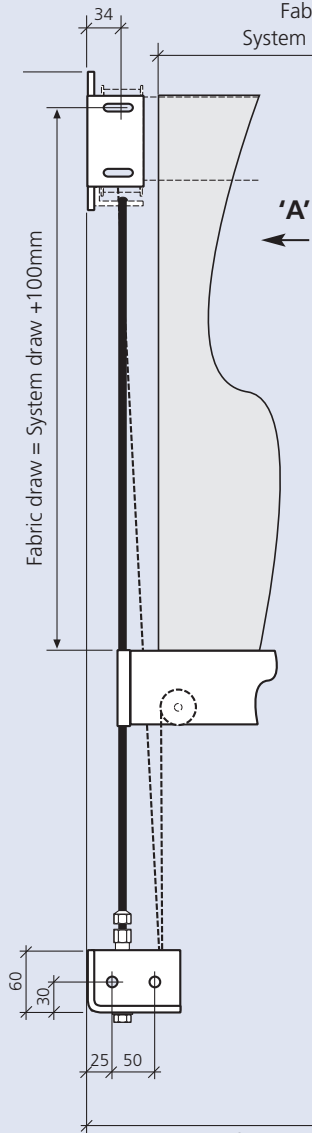
Installation

Top fix

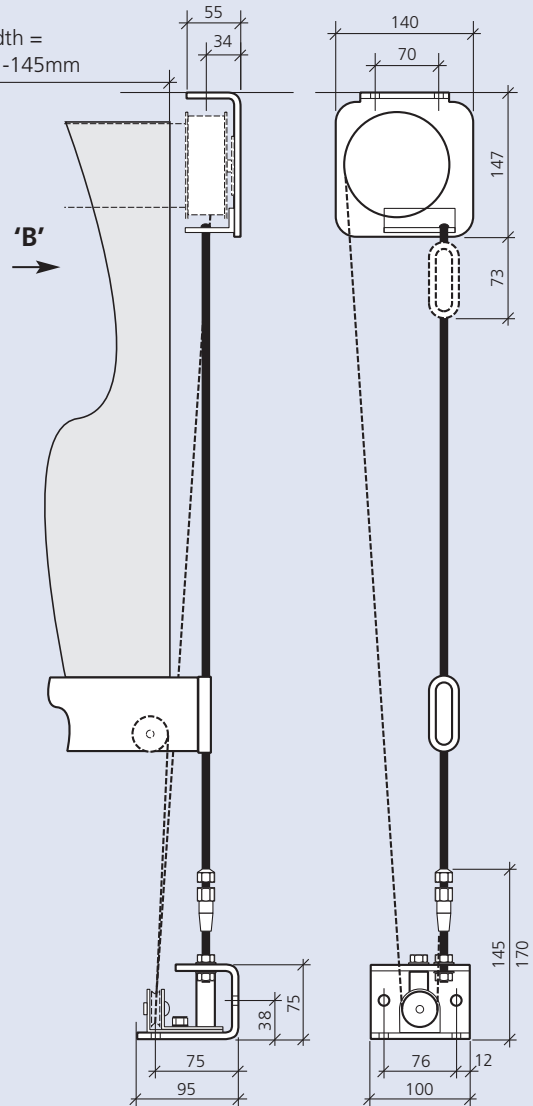
Back fix



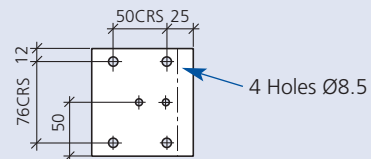
View on 'A'



System width "W" ± 2mm



View on 'B'



View on rear face

Note: top fix return pulley requires 50mm back clearance.